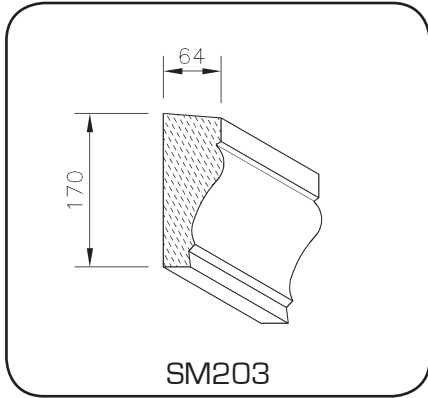




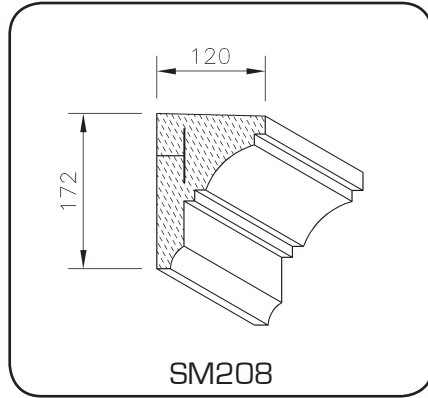
Stringer Profiles are available in lengths of 2.5m and 3.6m.

All profiles can be formed to suit archways or curved substrates.

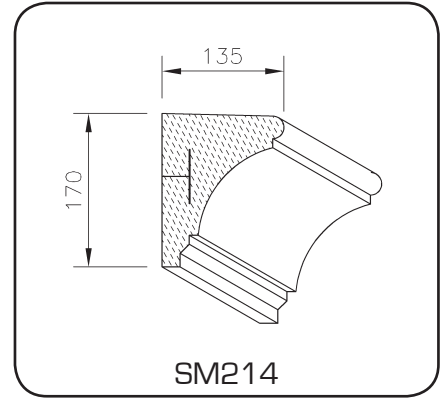
Standard dimensions are shown and larger or smaller scale versions of all profiles can be created on request.



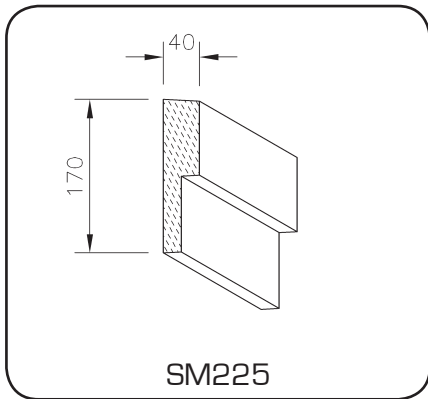
SM203



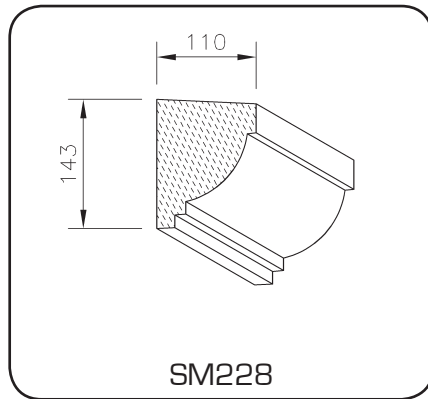
SM208



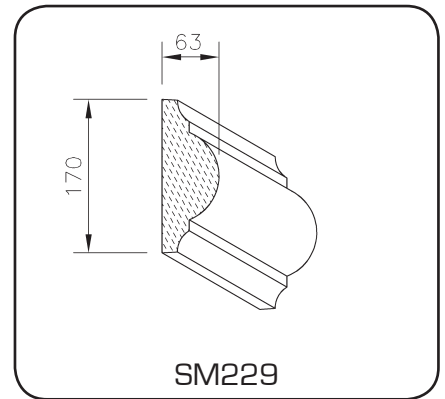
SM214



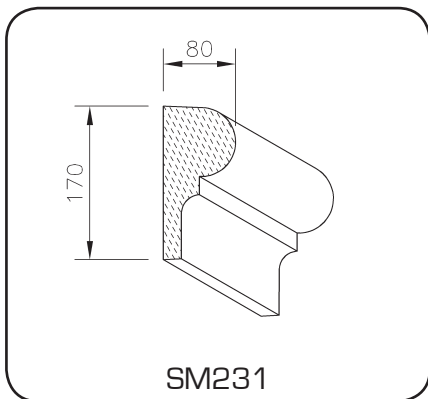
SM225



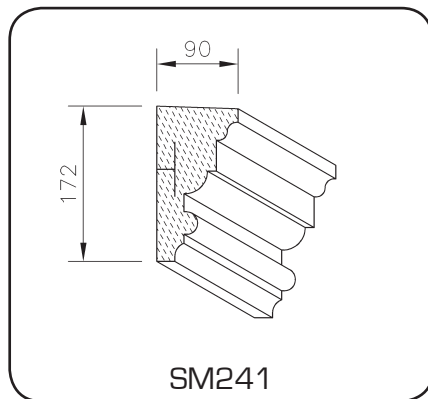
SM228



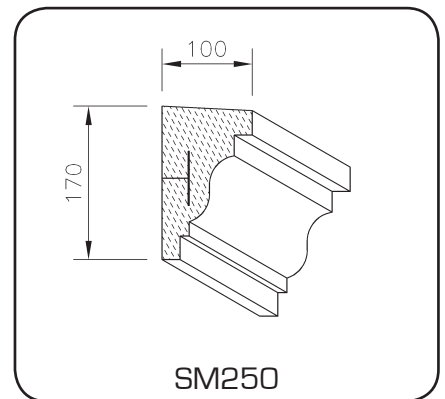
SM229



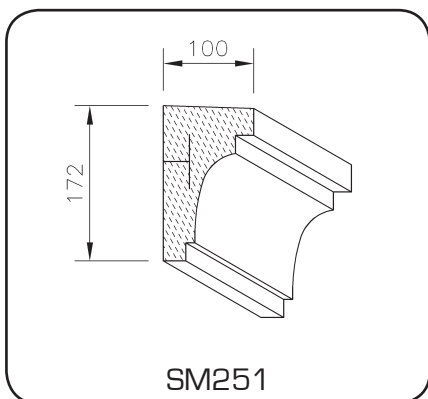
SM231



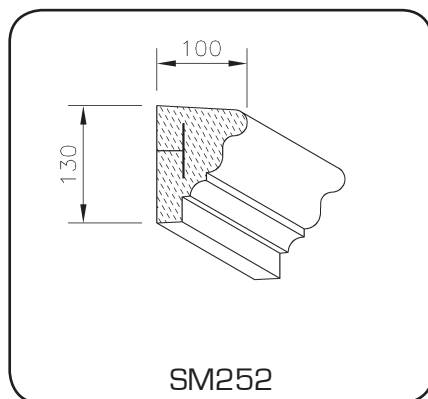
SM241



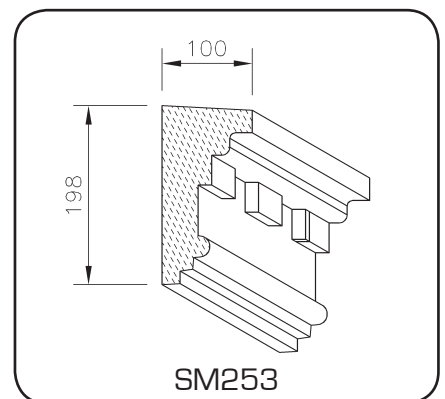
SM250



SM251



SM252



SM253